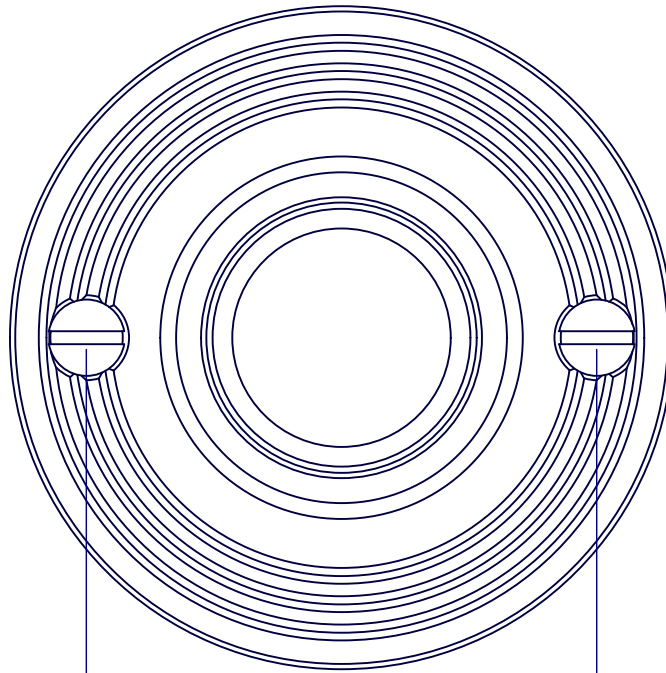
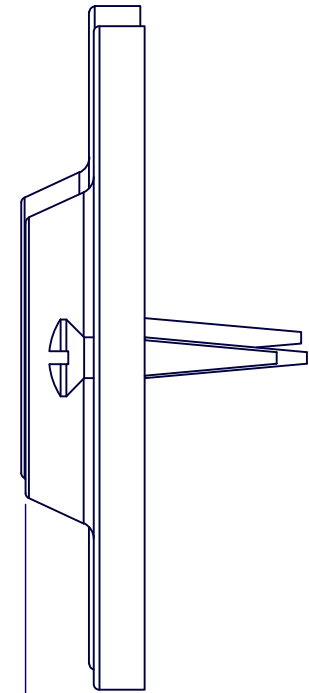


Ø57.50
[2 1/4]



45.00
[1 3/4]



10.50
[7/16]

PROPERTY OF SAMUEL HEATH ©			DESIGNER	ALI SHAMI	
A4	DRG No.	P8002-A	ISSUE NO.	A	ISSUE DATE 06/12/13